

- Primary currents from 5A to 6300A
- Secondary current 1A or 5A
- Accuracy classes 0.1, 0.2S, 0.2, 0.5S, 0.5, 1.0 3.0 or 5.0.
- Hole Sizes until 125mm x 70mm
- Fixing apparatuses are available for DIN rail and on surface fixing.

Current Transformer Coding Map

XX-XXX-XXXX-X-X-XX

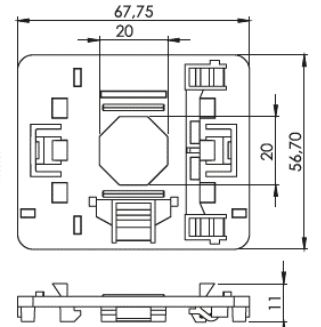
SERIES CODE	HOLE SIZE (mm)	PRIMARY (A)	SECONDARY (A)	CLASS		BURDEN (VA)		
				CODE	CLASS	CODE	VA	
CK	20	5	1	1	1	01	1	
TK	30S	.	5	2	0.5	02	1.5	
DK	30	.		3	0.5S	03	2.5	
BK	40	.		4	0.1	04	3.75	
	60	6300		5	0.1S	05	5	
	80			6	0.2	06	7.5	
	100			7	0.2S	07	10	
	120			8	5	08	12.5	
	125			9	3	09	15	
							10	20
							11	25
							12	30
						13	40	
						14	50	
						15	60	

Order Example: TK30 600/5A, CL.1.0, 10VA
Code: TK306005107

Loss in copper wires between instrument and CT for 5A secondary						
Wire section in mm ²	Loss in VA (for both wires)					
	1m	2m	4m	6m	8m	10m
1.5	0.6	1.19	2.38	3.57	4.76	5.95
2.5	0.36	0.71	1.43	2.14	2.86	3.57
4	0.22	0.45	0.89	1.34	1.79	2.23
6	0.15	0.3	0.60	1.89	1.19	1.49
10	0.09	0.18	0.36	0.54	0.71	0.89

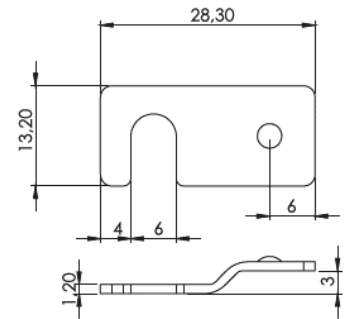
GENERAL FEATURES	
Standards	IEC 60044-1, IEC 61869-2, VDE 0414-1, DIN57414, BS3938, BS7626, EN 61869-2
CT Ratio	From 5A to 6300A
Burden	From 1VA to 40VA
Accuracy class	Class 0.1, Class 0.2S, Class 0.2, Class 0.5S, Class 0.5, Class 1.0, Class 3.0, Class 5
Terminal	Integral terminal cover, high cross section brass terminal for extra safety.
Case	Non-flammable self-extinguishing polycarbonate or ABS
Mounting	DIN Rail or direct surface mounting
Ambient temperature (operation)	-25 C ~ +85 C

DIN rail mounting clip



KK0001

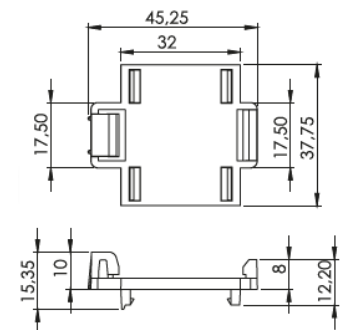
Metal Feet



KK0002

GENERAL TECHNICAL DATA	
Primary Conductor Width	Until 125 mm
Round Conductor Dia.	Until \varnothing 85 mm
Number of Input	1
Thermal Rated Short-Time current	Until $I_{th} = 60kA$
Rated Frequency	50 Hz ... 60 Hz
Surge Current Limitation Factor	FS 5
Test Voltage	3 kV for 1 min
Max System Voltage	0.72 kV

DIN rail mini mounting clip



KK0003

FEATURES

CT Ratio	From 40A to 300A
Burden	Up to 5VA
Accuracy class	Class 0.5, Class 1.0, Class 3.0
Terminal	Integral terminal cover, high cross section brass terminal for extra safety.
Case	Non-flammable self-extinguishing polycarbonate
Mounting	DIN Rail (KK0003)

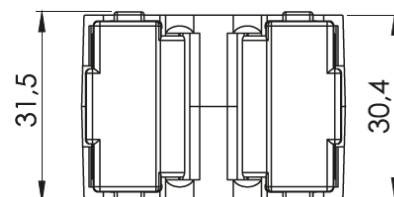
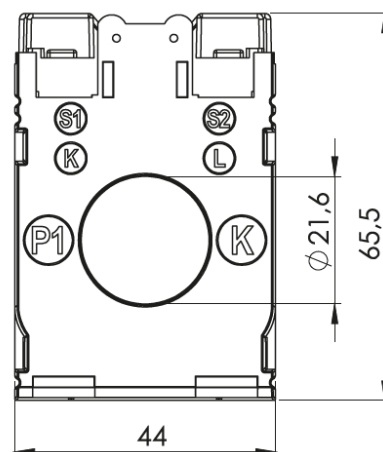


TECHNICAL DATA

Round conductor	$\varnothing 20 \text{ mm}$
Thermal rated short-time current	$I_{th} = 60 * I_n$
Thermal rated continuous current	$I_d = 1.2 * I_n$

RANGE

CLASS		3	1	0.5
SERIES	CURRENT RATIO			
CK20	40/5	1	-	-
	50/5	1	-	-
	60/5	1	1	-
	75/5	1.5	1.5	-
	80/5	-	1.5	-
	100/5	-	1.5	1.5
	125/5	-	2.5	1.5
	150/5	-	2.5	1.5
	160/5	-	2.5	1.5
	200/5	-	2.5	-
	250/5	-	2.5	-
	300/5	-	2.5	-



FEATURES

CT Ratio	From 40A to 600A
Rated Power	Up to 5VA
Accuracy class	0.5, 1.0, 3.0, 5.0
Terminal	Integral terminal cover, high cross section brass terminal for extra safety
Case	Non-flammable self-extinguishing ABS
Mounting	KK0002

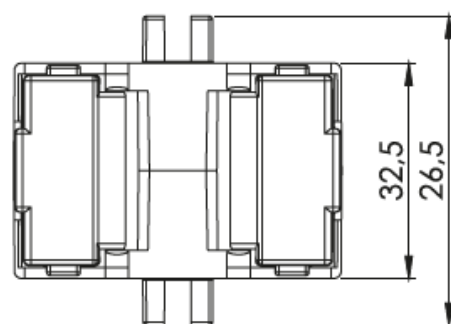
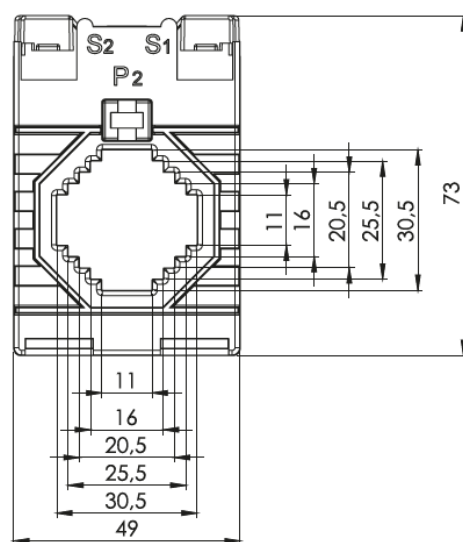


TECHNICAL DATA

Primary conductor	30 x 10 mm
Round conductor	∅ 26 mm
Thermal rated short-time current	$I_{th} = 60 * I_n$
Thermal rated continuous current	$I_d = 1 * I_n$

RANGE

CLASS		5	3	1	0.5
SERIES	CURRENT RATIO	BURDEN (VA)			
TK30S	40/5	1	-	-	-
	50/5	1	-	-	-
	60/5	1.5	1.5	-	-
	75/5	-	1.5	-	-
	80/5	-	-	1	-
	100/5	-	-	1,5	-
	125/5	-	-	1,5	-
	150/5	-	-	2,5	2,5
	160/5	-	-	2,5	2,5
	200/5	-	-	2,5	2,5
	250/5	-	-	2,5	2,5
	300/5	-	-	2,5	2,5
	400/5	-	-	3,75	2,5
	500/5	-	-	3,75	2,5
600/5	-	-	3,75	2,5	



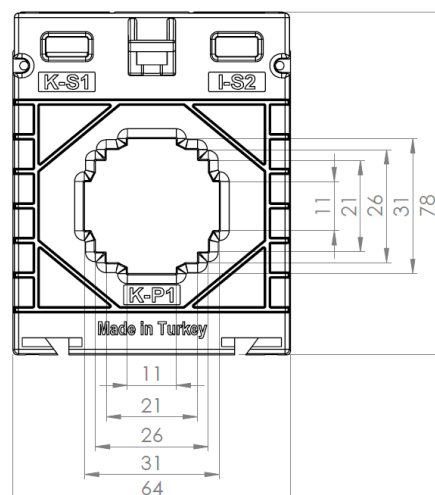
FEATURES

CT Ratio	From 40A to 600A
Rated Power	Up to 10VA
Accuracy class	Class 0.5S, Class 0.5, Class 1.0, Class 3.0
Terminal	Integral terminal cover, high cross section brass terminal for extra safety
Case	Non-flammable self-extinguishing ABS
Mounting	KK0001 or KK0002



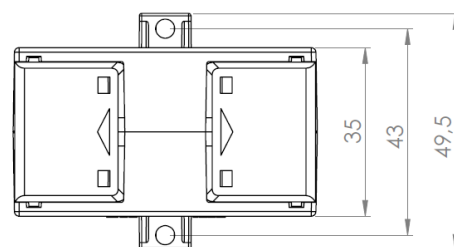
TECHNICAL DATA

Primary conductor	30 x 10 mm
Round conductor	∅ 26 mm
Thermal rated short-time current	$I_{th} = 60 * I_n$
Thermal rated continuous current	$I_d = 1.2 * I_n$



RANGE

CLASS		3	1	0.5	0.5S
SERIES	CURRENT RATIO	BURDEN (VA)			
TK30	40/5	1	-	-	-
	50/5	1	1	-	-
	60/5	2.5	1	-	-
	75/5	1	1	-	-
	80/5	1,5	1,5	-	-
	100/5	1,5	1,5	1	-
	125/5	2,5	2,5	1	-
	150/5	-	2,5	2,5	1
	160/5	-	2,5	2,5	1.5
	200/5	-	3,75	3,75	1.5
	250/5	-	5	5	2.5
	300/5	-	5	5	3.75
	400/5	-	5	5	5
	500/5	-	7,5	5	5
	600/5	-	10	10	10



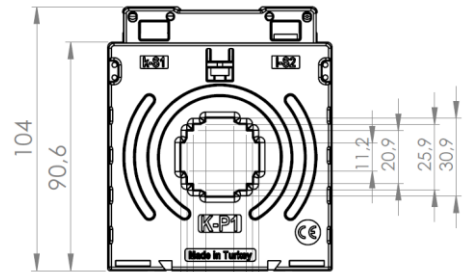
FEATURES

CT Ratio	From 25A to 600A
Rated Power	Up to 30VA
Accuracy class	Class 0.1, 0.2S, 0.2, Class 0.5S, Class 0.5, Class 1.0,
Terminal	Integral terminal cover, high cross section brass terminal for extra safety
Case	Non-flammable self-extinguishing ABS
Mounting	KK0001 or KK0002



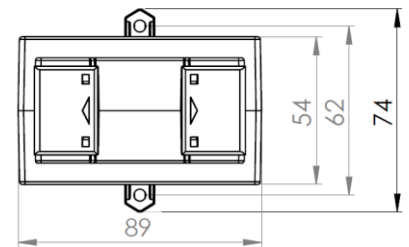
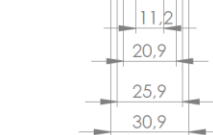
TECHNICAL DATA

Primary conductor	30 x 10 mm
Round conductor	∅ 26 mm
Thermal rated short-time current	$I_{th} = 60 * I_n$
Thermal rated continuous current	$I_d = 1.2 * I_n$



RANGE

CLASS		1	0.5	0.5S	0.2	0.2S	0.1
SERIES	CURRENT RATIO	BURDEN (VA)					
TK30A	25/5	1	-	-	-	-	-
	30/5	1	-	-	-	-	-
	40/5	1.5	1.5	1	-	-	-
	50/5	2.5	2.5	2.5	-	-	-
	60/5	3.75	3.75	2.5	1	-	-
	75/5	5	5	5	2.5	1	-
	80/5	5	5	5	2.5	1.5	-
	100/5	7.5	7.5	7.5	5	5	1.5
	125/5	7.5	7.5	7.5	5	5	1.5
	150/5	10	10	10	10	5	2.5
	160/5	12.5	12.5	12.5	10	10	5
	200/5	15	15	15	15	15	10
	250/5	20	20	20	20	20	15
	300/5	25	25	25	25	25	25
	400/5	25	25	25	25	25	25
	500/5	30	30	30	30	30	30
600/5	30	30	30	30	30	30	



FEATURES

CT Ratio	From 200A to 800A
Rated Power	Up to 10VA
Accuracy class	Class 0.5S, Class 0.5, Class 1.0
Case	Non-flammable self-extinguishing ABS
Mounting	KK0001 or KK0002

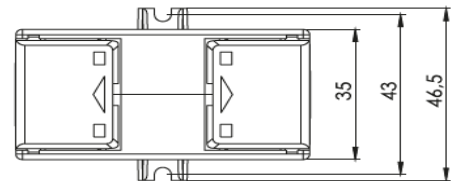
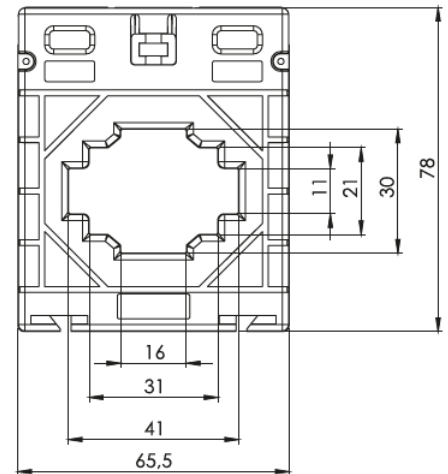


TECHNICAL DATA

Primary conductor	40 x 10 mm
Round conductor	∅ 30 mm
Thermal rated short-time current	$I_{th} = 60 * I_n$
Thermal rated continuous current	$I_d = 1 * I_n$

RANGE

CLASS		1	0.5	0.5S	0.2	0.2S
SERIES	CURRENT RATIO	BURDEN (VA)				
TK40	200/5	2.5	2.5	-	-	-
	250/5	2.5	2.5	-	-	-
	300/5	3.75	2.5	1.5	-	-
	400/5	5	5	5	-	-
	500/5	7.5	5	5	5	-
	600/5	7.5	10	7.5	7.5	7.5
	800/5	10	10	10	10	7.5



FEATURES

CT Ratio	From 600A to 1250A
Rated Power	Up to 30VA
Accuracy class	Class 0.1, 0.2S, 0.2, Class 0.5S, Class 0.5, Class 1.0
Case	Non-flammable self-extinguishing ABS
Mounting	KK0001 or KK0002

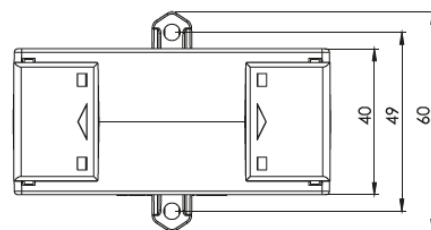
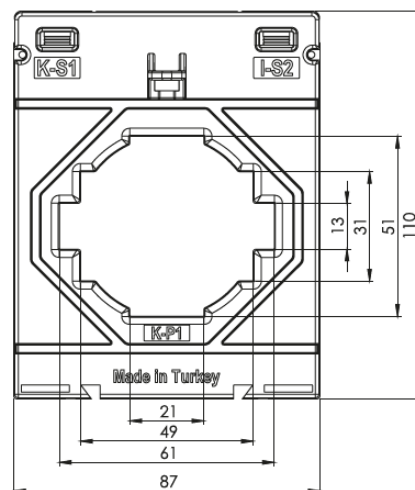


TECHNICAL DATA

Primary conductor	60 x 10 mm
Round conductor	∅ 51 mm
Thermal rated short-time current	I _{th} = 60 kA
Thermal rated continuous current	I _d = 1 * I _n

RANGE

CLASS		1	0.5	0.5S	0.2	0.2S	0.1
SERIES	CURRENT RATIO	BURDEN (VA)					
		TK60	600/5	10	7.5	5	5
630/5	10		7.5	5	5	-	-
800/5	15		15	10	10	5	-
1000/5	20		20	15	15	10	-
1200/5	20		20	20	15	15	15
1250/5	20		20	20	15	15	15



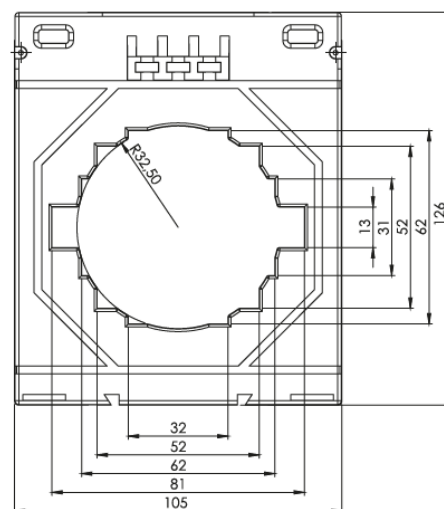
FEATURES

CT Ratio	From 800A to 2000A
Rated Power	Up to 30VA
Accuracy class	Class 0.1, 0.2S, 0.2, Class 0.5S, Class 0.5, Class 1.0
Mounting	KK0001 or KK0002



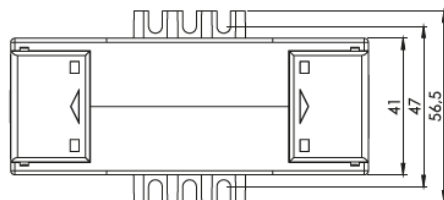
TECHNICAL DATA

Primary conductor	80 x 10 mm
Round conductor	Ø 65 mm
Thermal rated short-time current	I _{th} = 60 kA
Thermal rated continuous current	I _d = 1 * I _n



RANGE

CLASS		1	0.5	0.5S	0.2	0.2S	0.1
SERIES	CURRENT RATIO	BURDEN (VA)					
		TK80	800/5	20	15	10	7.5
	1000/5	20	15	15	10	7.5	-
	1200/5	20	20	15	15	7.5	7.5
	1250/5	20	20	15	15	7.5	7.5
	1500/5	20	20	20	20	10	10
	1600/5	25	25	25	20	15	15
	2000/5	30	25	25	20	15	15



FEATURES

CT Ratio	From 1000A to 4000A
Rated Power	Up to 30VA
Accuracy class	Class 0.1, 0.2S, 0.2, Class 0.5S, Class 0.5, Class 1.0
Case	Non-flammable self-extinguishing ABS
Mounting	KK0001 or KK0002

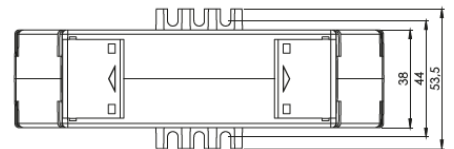
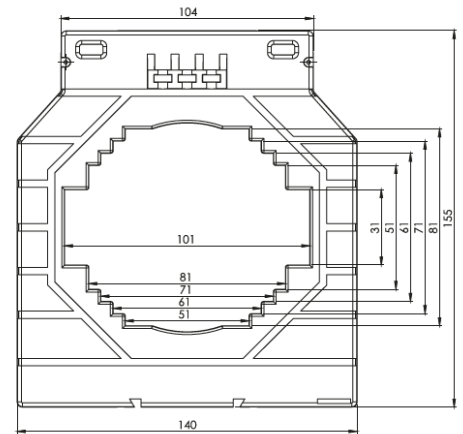
TECHNICAL DATA

Primary conductor	100x 30mm
Round conductor	∅ 85mm
Thermal rated short-time current	I _{th} =60kA
Thermal rated continuous current	I _d = 1 * I _n



RANGE

CLASS		1	0.5	0.5S	0.2	0.2S	0.1
SERIES	CURRENT RATIO	BURDEN (VA)					
		TK100	1000/5	20	15	5	5
	1200/5	20	20	10	10	-	-
	1250/5	20	20	15	15	5	-
	1500/5	20	20	20	15	7.5	-
	1600/5	30	25	25	15	7.5	-
	2000/5	30	30	30	30	30	30
	2500/5	40	30	30	30	30	30
	3000/5	40	40	40	30	30	30
	3200/5	40	40	40	30	30	30
	4000/5	40	40	40	30	30	30



FEATURES

CT Ratio	From 2000A to 6300A
Rated Power	Up to 60VA
Case	Non-flammable self-extinguishing ABS

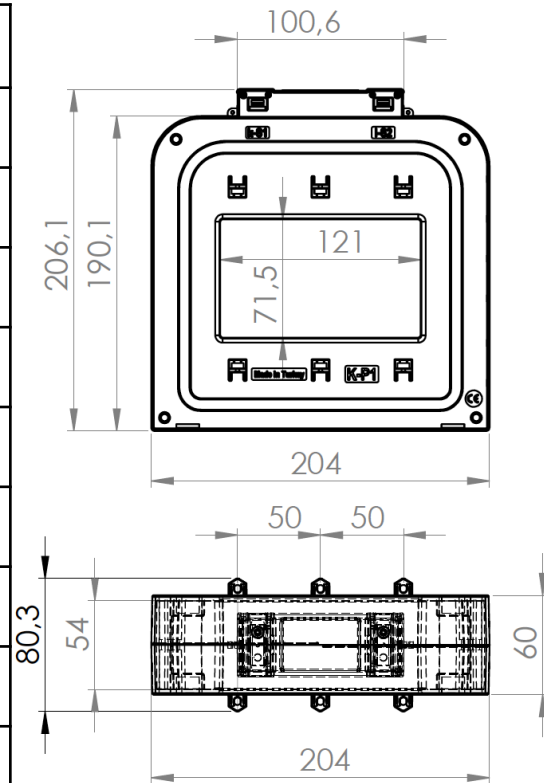
TECHNICAL DATA

Primary conductor	120 X 70mm
Round conductor	Ø 70mm
Thermal rated short-time current	I _{th} =60kA
Thermal rated continuous current	I _d = 1 * I _n



RANGE

CLASS		1	0.5	0.5S	0.2	0.2S	0.1
SERIES	CURRENT RATIO	BURDEN (VA)					
TK120	2000/5	30	30	30	30	30	30
	2500/5	30	30	30	30	30	30
	3000/5	40	40	40	40	40	40
	3200/5	40	40	40	40	40	40
	4000/5	40	40	40	40	40	40
	5000/5	40	40	40	40	40	40
	6000/5	40	40	40	40	40	40
	6300/5	40	40	40	40	40	40



FEATURES

CT Ratio	From 1200A to 4000A
Rated Power	Up to 12.5VA
Accuracy class	Class 0.1, 0.2S, 0.2, Class 0.5S, Class 0.5, Class 1.0
Case	Non-flammable self-extinguishing ABS
Mounting	On busbar

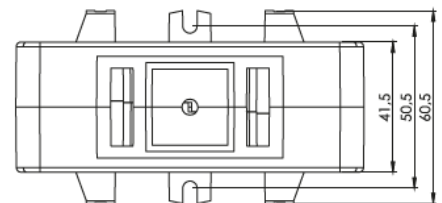
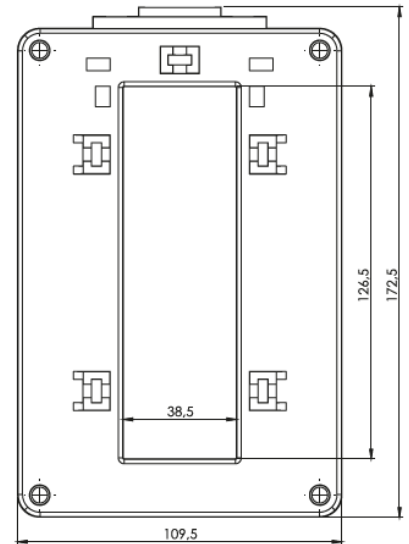


TECHNICAL DATA

Primary conductor	125 x 39 mm
Thermal rated short-time current	I _{th} = 60 kA
Thermal rated continuous current	I _d = 1 * I _n

RANGE

CLASS		1	0.5	0.5S	0.2	0.2S	0.1
SERIES	AMP RATIO	BURDEN (VA)					
DK125	1000/5	20	15	5	5	-	-
	1200/5	20	20	10	10	-	-
	1250/5	20	20	15	15	-	-
	1500/5	20	20	20	15	7.5	5
	1600/5	30	25	25	15	7.5	5
	2000/5	30	30	30	30	30	30
	2500/5	30	30	30	30	30	30
	3000/5	30	30	30	30	30	30
	3200/5	30	30	30	30	30	30
	4000/5	30	30	30	30	30	30



FEATURES

CT Ratio	From 5A to 200A
Rated Power	Up to 15VA
Accuracy class	Class 0.5S, Class 0.5
Case	Non-flammable self-extinguishing ABS
Mounting	KK0001



TECHNICAL DATA

Primary conductor	25 x 3 built-in busbar
Thermal rated short-time current	$I_{th} = I_n \times 60$
Thermal rated continuous current	$I_d = 1 * I_n$

RANGE

PRIMARY CURRENT (A)	CLASS 0.5		CLASS 0.5S	
	CODE BURDEN 5VA	CODE BURDEN 10VA	CODE BURDEN 5VA	CODE BURDEN 10VA
5	BK55205	BK55207	BK55305	BK55307
10	BK105205	BK105207	BK105305	BK105307
15	BK155205	BK155207	BK155305	BK155307
20	BK205205	BK205207	BK205305	BK205307
25	BK255205	BK255207	BK255305	BK255307
30	BK305205	BK305207	BK305305	BK305307
40	BK405205	BK405207	BK405305	BK405307
50	BK505205	BK505207	BK505305	BK505307
60	BK605205	BK605207	BK605305	BK605307
75	BK755205	BK755207	BK755305	BK755307
80	BK805205	BK805207	BK805305	BK805307
100	BK1005205	BK1005207	BK1005305	BK1005307
125	BK1255205	BK1255207	BK1255305	BK1255307
150	BK1505205	BK1505207	BK1505305	BK1505307
200	BK2005205	BK2005207	BK2005305	BK2005307

